

1

2

3

4

5

6

A

A

B

B

C

C

D

D

E

E

F

F

G

G

H

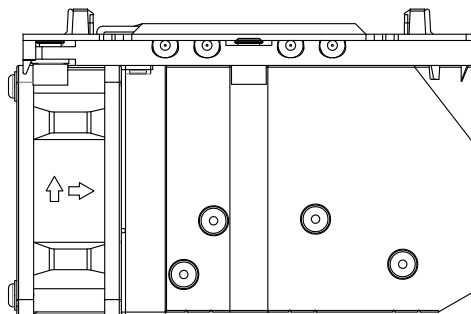
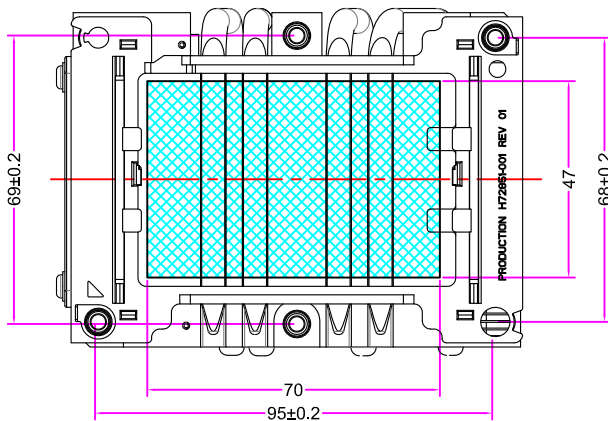
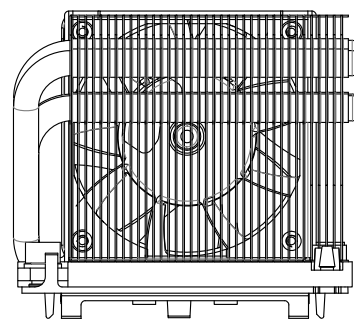
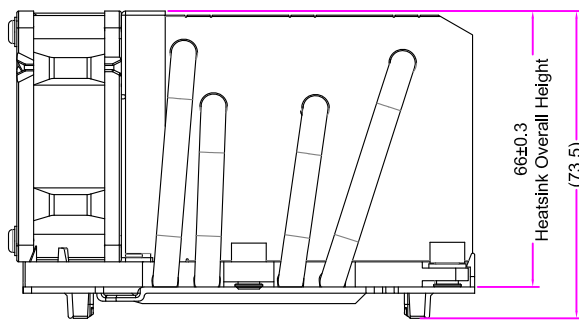
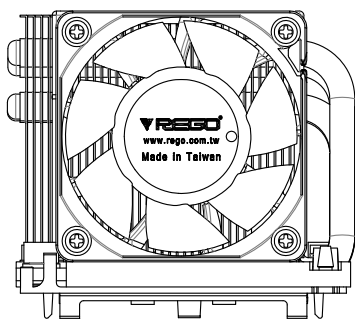
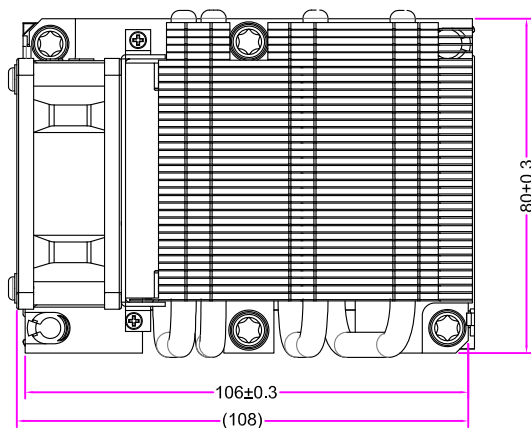
H

I

I


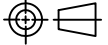
J

J



PROPRIETARY NOTE:

This document contains confidential information and proprietary to Rego Electronics and shall not be reproduced or disclosed to other documents or used for any purpose other than that for which was obtained without the expressed written consent of Rego Electronics.

.X ± 0.30	APPROVED: Chris	 http://www.rego.com.tw
.XX ± 0.20	CHECKED: Levi	
.XXX ± 0.15	DRAWN: Vic	
X* ± 3'	UNITS: mm	SCALE: NONE
		TITLE: 2U CPU Cooler Narrow Type for Intel Socket FCLA3647 Processors
		PART NO: RG9220
		SHEET: 1 OF 1

1.0	12.1.2017
REV	DATE

1

2

3

4

5

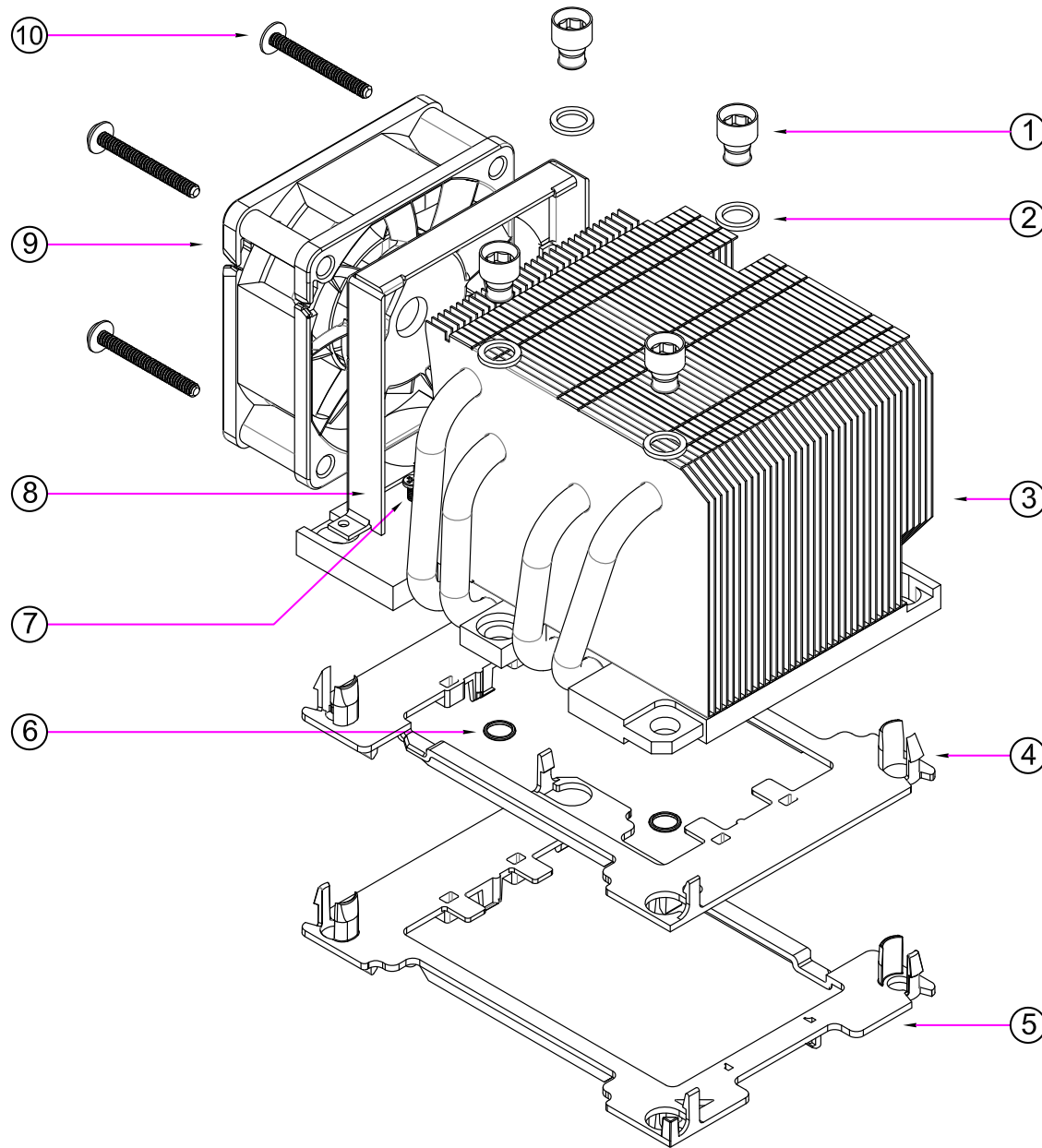
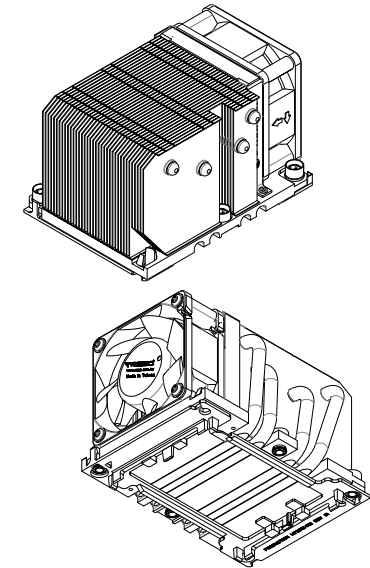
6

ASSEMBLY PARTS

NOTES:

1. THE FIGURE IS FOR REFERENCE ONLY, AND NOT FOR SCALE
2. OVERALL DIMENSION : 108 x 80 x 66mm
3. OVERALL WEIGHT : 470g



WHOLE SET OF HEATSINK



11	THERMAL GREASE	SHIN-ETSU 7762	1
10	SCREW, FAN MOUNTING	STEEL	4
9	FAN, DF126025BM-PWM (7000 RPM)	PLASTIC	1
8	FAN BRACKET	PLASTIC	1
7	SCREW, FAN BRACKET MOUNTING	STEEL	2
6	CALLAR	NY66 A205F	4
5	INTEL PACKAGE CARRIER (AS SHOWN NARROW FABRIC)	PLASTIC	1
4	INTEL PACKAGE CARRIER (AS SHOWN NARROW NON-FABRIC)	PLASTIC	1
3	HEATSINK	HEATPIPES ALUMINUM BASE ALUMINUM STACKED FIN	1
2	WASHER	PLASTIC	4
1	HEATSINK NUT, M4	SS316 ANNEALED	4
ITEM#	DESCRIPTION	MATERIAL	QTY.

PROPRIETARY NOTE:

This document contains confidential information and proprietary to Rego Electronics and shall not be reproduced or disclosed to other documents or used for any purpose other than that for which was obtained without the expressed written consent of Rego Electronics.

.X ± 0.30	APPROVED: Chris	 http://www.rego.com.tw	
.XX ± 0.20	CHECKED: Levi		
.XXX ± 0.15	DRAWN: Vic		
X* ± 3'		TITLE: 2U CPU Cooler Narrow Type for Intel Socket FCLA3647 Processors	
	UNITS: mm	SCALE: NONE	PART NO: RG9220
			SHEET: 1 OF 1

1.0	12.1.2017
REV	DATE