

Rated Voltage : 12V/ 24V

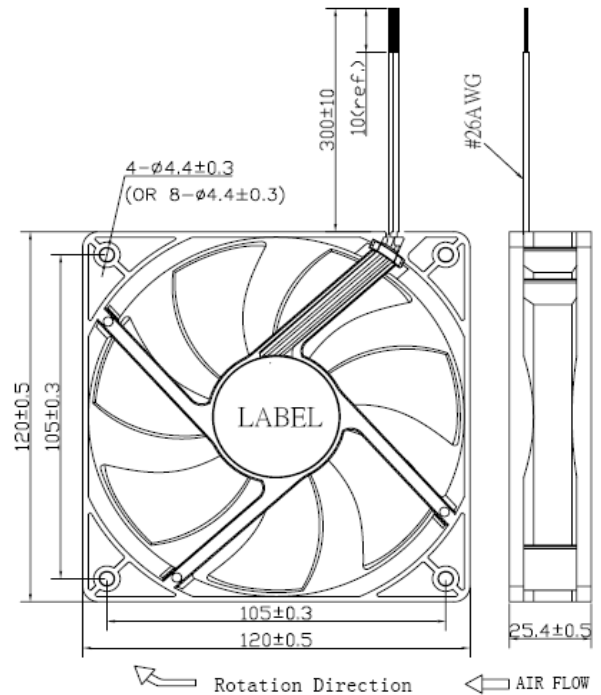
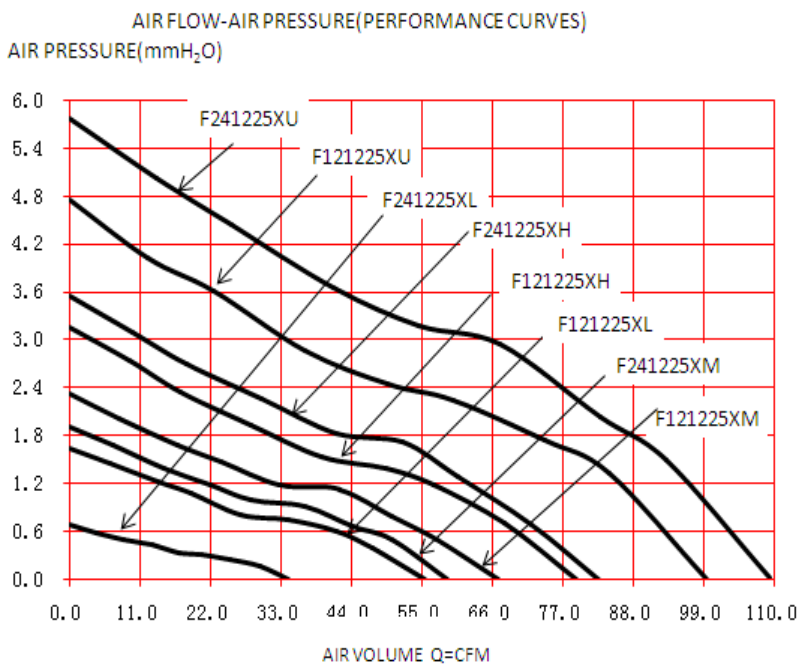
Operating Temp : 10~70°C

Protection : Auto-Restart/ Impedance

 Material : Housing Plastic (UL : 94V-0)
 Impeller Plastic (UL : 94V-0)

Weight : 140g

Safety Approval



Series	Bearing (*)	Rated Voltage (V)	Rated Current (Amp)	Input Power (W)	Rated Speed (rpm)	Air Flow		Static Pressure (mmH ₂ O)	Noise dB(A)
						(CFM)	m ³ /min		
R121225XL	▲●	12	0.08	0.96	1500	55.44	1.57	1.64	28
R121225XM	▲●	12	0.13	1.56	1800	67.05	1.90	2.32	34.5
R121225XH	▲●	12	0.2	2.40	2100	79.00	2.24	3.15	39
R121225XU	▲●	12	0.4	4.80	2600	99.41	2.82	4.75	45
R241225XL	▲●	24	0.03	0.72	1000	34.26	0.97	0.69	19.5
R241225XM	▲●	24	0.07	1.68	1600	58.93	1.67	1.92	32.0
R241225XH	▲●	24	0.12	2.88	2200	82.86	2.35	3.55	40.2
R241225XU	▲●	24	0.29	6.96	2850	109.41	3.10	5.77	47.5

*Bearing Type : ○ Sleeve ▲EBR ●2 Ball

*Noise measured at the distance of one meter from the axis of intake.

*The latest version would be as per the standard issued by REGO only.