

Rated Voltage : 12V/ 24V

Operating Temp : 10~70°C

Protection : Auto-Restart/ Impedance

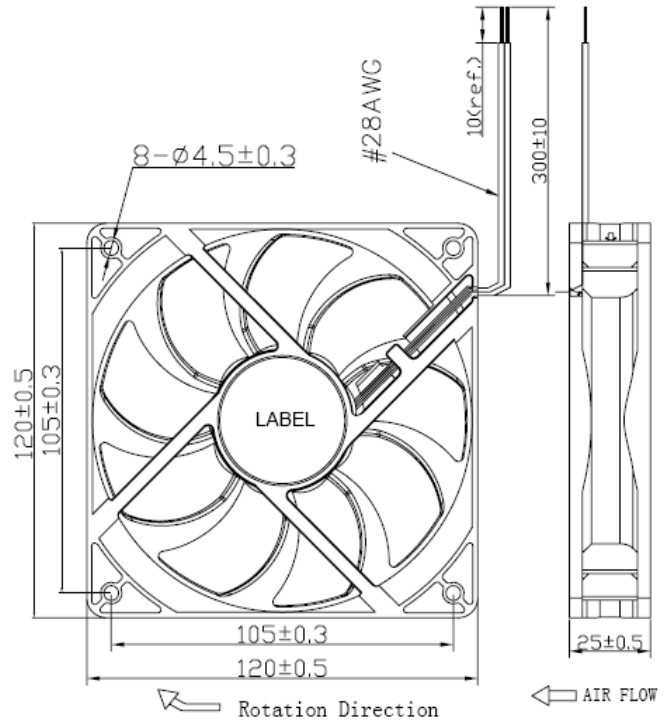
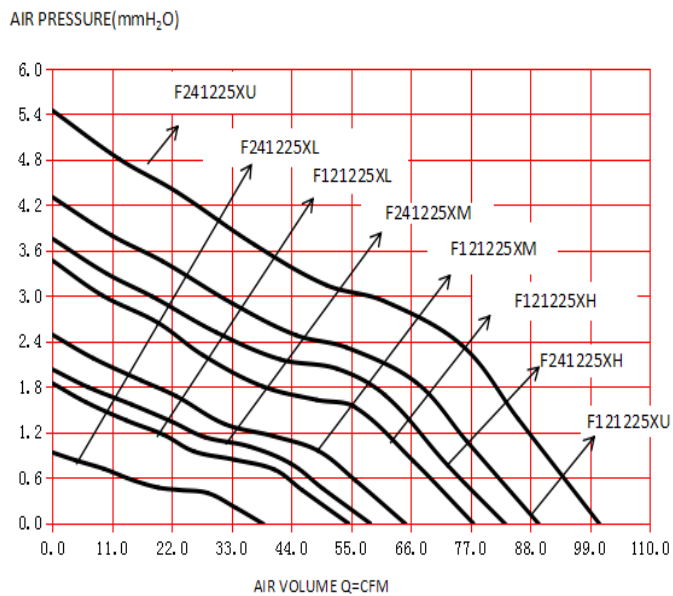
 Material : Housing Plastic (UL : 94V-0)
 Impeller Plastic (UL : 94V-0)

Weight : 140g

Safety Approval



AIR FLOW-AIR PRESSURE(PERFORMANCE CURVES)



Series	Bearing (*)	Rated Voltage (V)	Rated Current (Amp)	Input Power (W)	Rated Speed (rpm)	Air Flow		Static Pressure (mmH ₂ O)	Noise dB(A)
						(CFM)	m ³ /min		
F121225XL	▲●	12	0.1	1.2	1500	54.50	1.54	1.85	28
F121225XM	▲●	12	0.17	2.04	1800	65.06	1.84	2.49	32.5
F121225XH	▲●	12	0.26	3.12	2100	77.49	2.20	3.47	37.5
F121225XU	▲●	12	0.43	5.16	2400	89.65	2.54	4.31	40.8
F241225XL	▲●	24	0.03	0.72	1000	38.91	1.10	0.94	20.6
F241225XM	▲●	24	0.06	1.44	1600	58.52	1.66	2.03	28.8
F241225XH	▲●	24	0.16	3.84	2200	83.68	2.37	3.76	39.1
F241225XU	▲●	24	0.30	7.20	2700	100.85	2.86	5.45	45.1

*Bearing Type : ○ Sleeve ▲EBR ●2 Ball

*Noise measured at the distance of one meter from the axis of intake.

*The latest version would be as per the standard issued by REGO only.