

Rated Voltage : 12V

Operating Temp : 10~70°C

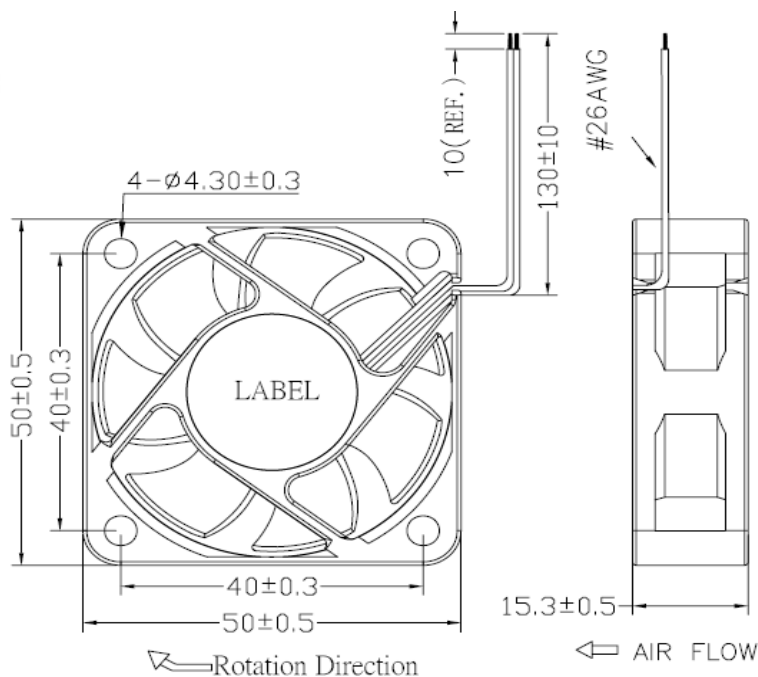
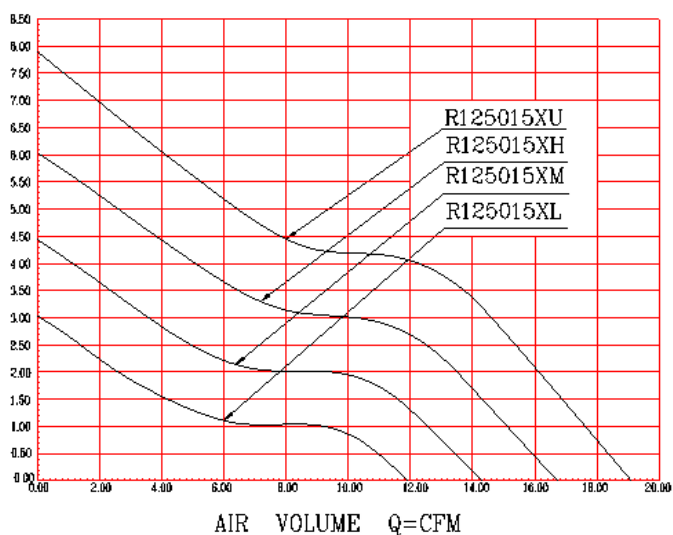
Protection : Auto-Restart /Impedance

 Material : Housing Plastic (UL : 94V-0)
 Impeller Plastic (UL : 94V-0)

Weight : 30g

Safety Approval


AIR FLOW-AIR PRESSURE (PERFORMANCE CURVES)

 AIR PRESSURE(mmH₂O)


Series	Bearing (*)	Rated Voltage (V)	Rated Current (Amp)	Input Power (W)	Rated Speed (rpm)	Air Flow		Static Pressure (mmH ₂ O)	Noise dB(A)
						(CFM)	m ³ /min		
R125015XL	●	12	0.20	2.40	5000	11.97	0.34	3.08	26.5
R125015XM	●	12	0.25	3.00	6000	14.36	0.41	4.44	30.2
R125015XH	●	12	0.32	3.84	7000	16.76	0.47	6.05	35.3
R125015XU	●	12	0.60	7.20	8000	19.15	0.54	7.90	39.3
R125015XL	▲	12	0.20	2.40	5000	11.97	0.34	3.08	26.5
R125015XM	▲	12	0.25	3.00	6000	14.36	0.41	4.44	30.2
R125015XH	▲	12	0.32	3.84	7000	16.76	0.47	6.05	35.3

*Bearing Type : ○ Sleeve ▲EBR ●2 Ball

*Noise measured at the distance of one meter from the axis of intake.

*The latest version would be as per the standard issued by REGO only.