

Rated Voltage : 12V

Operating Temp : 10~70°C

Protection : Auto-Restart /Impedance

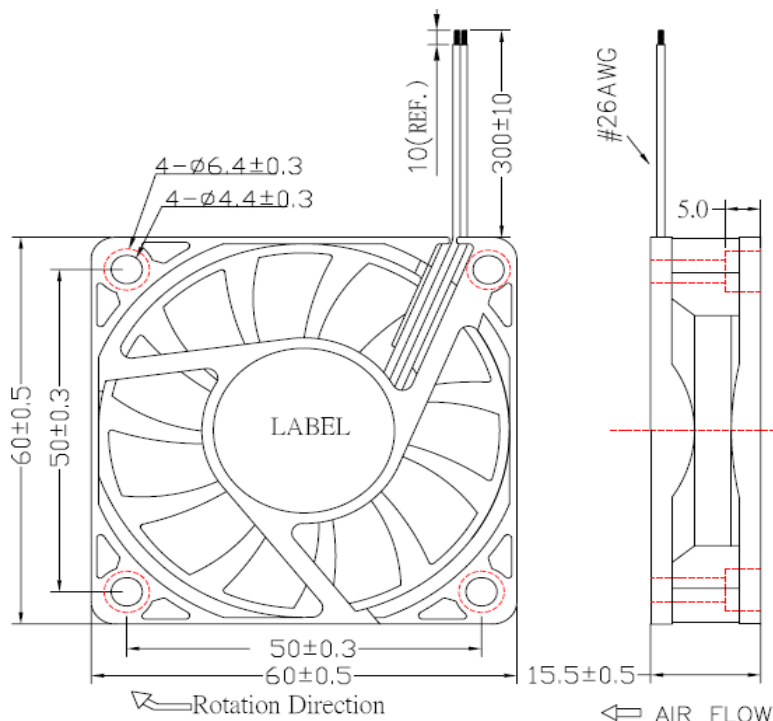
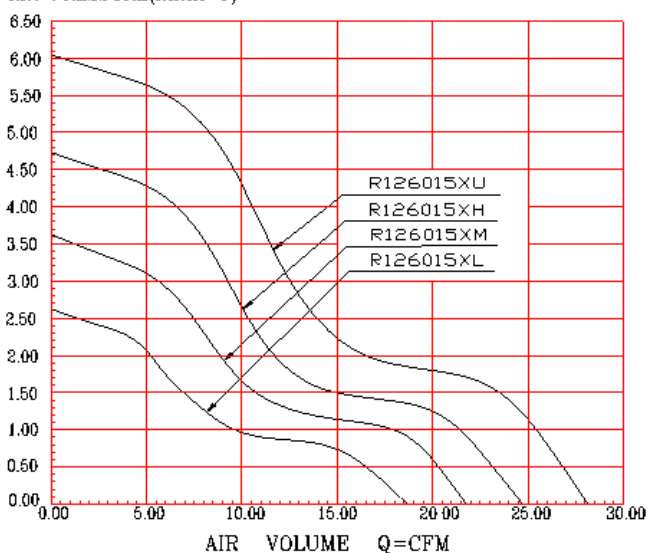
 Material : Housing Plastic (UL : 94V-0)  
 Impeller Plastic (UL : 94V-0)

Weight : 40g

Safety Approval



AIR FLOW-AIR PRESSURE(PERFORMANCE CURVES)

 AIR PRESSURE(mmH<sub>2</sub>O)


Series	Bearing (*)	Rated Voltage (V)	Rated Current (Amp)	Input Power (W)	Rated Speed (rpm)	Air Flow		Static Pressure (mmH <sub>2</sub> O)	Noise dB(A)
						(CFM)	m <sup>3</sup> /min		
R126015XL	▲●	12	0.14	1.68	3600	18.69	0.53	2.68	26.9
R126015XM	▲●	12	0.20	2.40	4200	21.81	0.62	3.65	30.8
R126015XH	▲●	12	0.30	3.60	4800	24.93	0.71	4.77	33.9
R126015XU	▲●	12	0.40	4.80	5400	28.05	0.79	6.04	37

\*Bearing Type : ○ Sleeve ▲EBR ●2 Ball

\*Noise measured at the distance of one meter from the axis of intake.

\*The latest version would be as per the standard issued by REGO only.