

Rated Voltage : 12V

Operating Temp : 10~70°C

Protection : Auto-Restart /Impedance

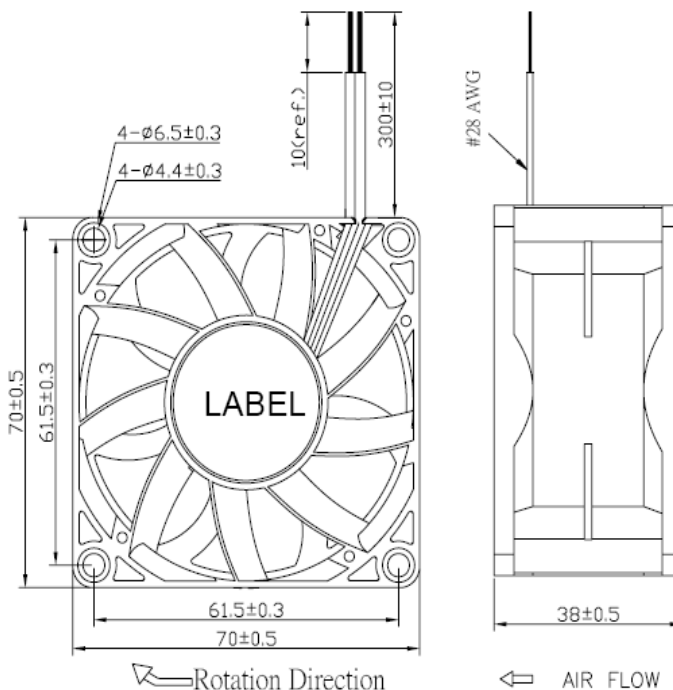
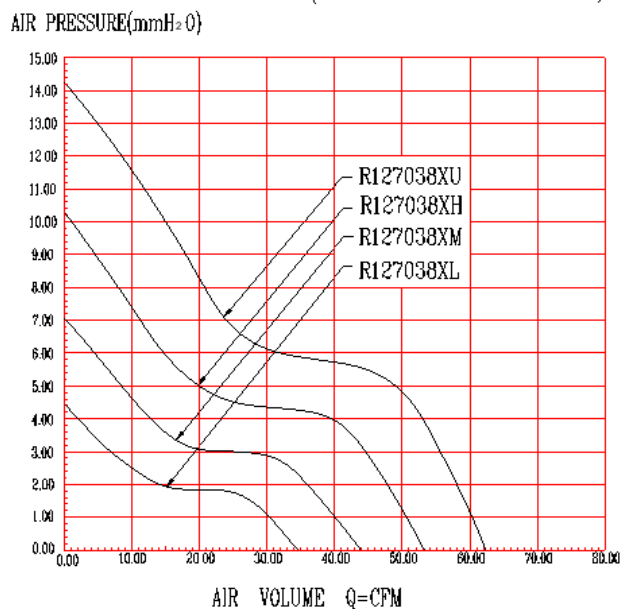
Material : Housing Plastic (UL : 94V-0)
Impeller Plastic (UL : 94V-0)

Weight : 70g

Safety Approval



AIR PRESSURE-AIR FLOW (PERFORMANCE CURVES)



| Series | Bearing (*) | Rated Voltage (V) | Rated Current (Amp) | Input Power (W) | Rated Speed (rpm) | Air Flow | | Static Pressure (mmH ₂ O) | Noise dB(A) |
|-----------|-------------|-------------------|---------------------|-----------------|-------------------|----------|---------------------|--------------------------------------|-------------|
| | | | | | | (CFM) | m ³ /min | | |
| R127038XL | ● | 12 | 0.28 | 3.36 | 3800 | 34.83 | 0.99 | 4.44 | 35.8 |
| R127038XM | ● | 12 | 0.35 | 4.20 | 4800 | 43.99 | 1.25 | 7.09 | 45 |
| R127038XH | ● | 12 | 0.50 | 6.00 | 5800 | 53.16 | 1.51 | 10.35 | 47.3 |
| R127038XU | ● | 12 | 0.80 | 9.60 | 6800 | 62.32 | 1.77 | 14.22 | 51 |

*Bearing Type : ○ Sleeve ▲ EBR ● 2 Ball

*Noise measured at the distance of one meter from the axis of intake.

*The latest version would be as per the standard issued by REGO only.