

Rated Voltage : 12V

Operating Temp : 10~70°C

Protection : Auto-Restart

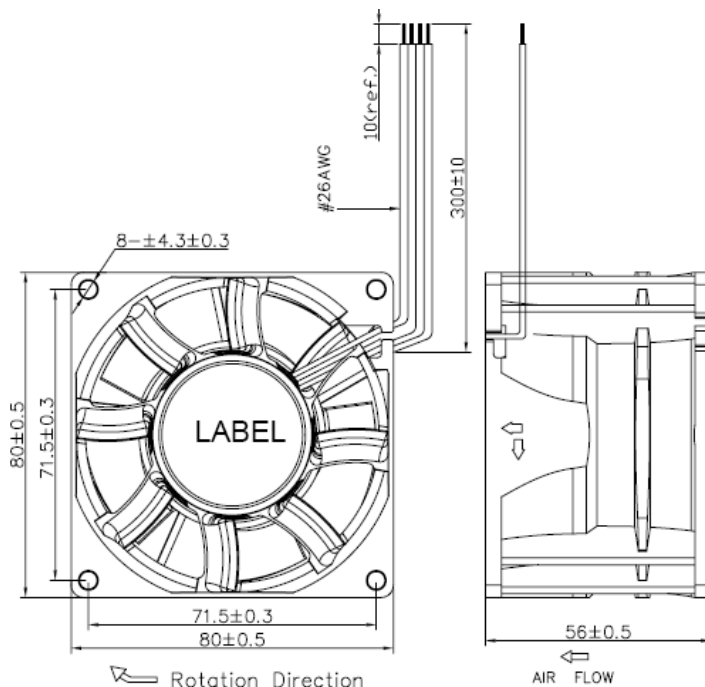
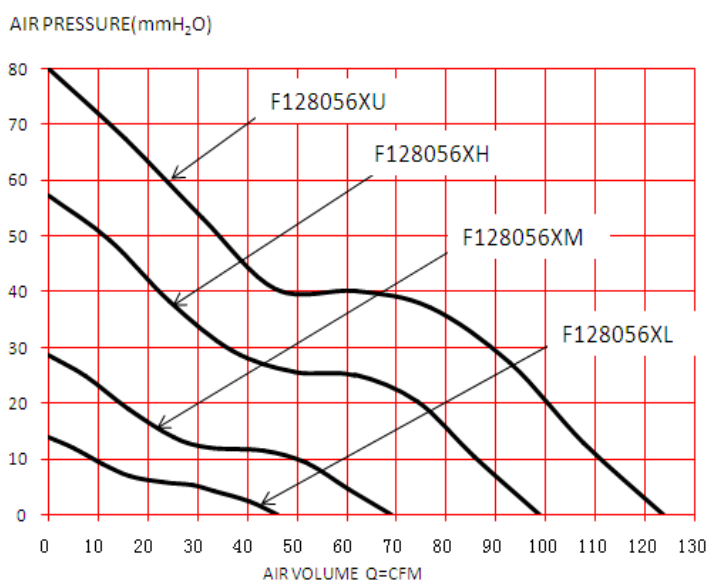
Material : Housing Plastic (UL : 94V-0)
 Impeller Plastic (UL : 94V-0)

Weight : 134g

Safety Approval



AIR FLOW-AIR PRESSURE(PERFORMANCE CURVES)



Series	Bearing g (*)	Rated Voltage (V)	Rated Current (Amp)	Input Power (W)	Rated Speed (rpm)	Air Flow		Static Pressure (mmH2O)	Noise dB(A)
						(CFM)	m3/min		
F128056XL	●	12	0.26	3.12	5000	46.24	1.31	13.95	45
F128056XM	●	12	0.68	8.16	7000	69.1	1.96	28.7	55.2
F128056XH	●	12	1.8	21.60	10000	98.9	2.80	57.2	62.2
F128056XU	●	12	3.2	38.40	12500	124	3.51	79.99	68.5

*Bearing Type : ○ Sleeve ▲ EBR ● 2 Ball

*Noise measured at the distance of one meter from the axis of intake.

*The latest version would be as per the standard issued by REGO only.