

Rated Voltage : 12V/ 24V/ 48V/ 54V

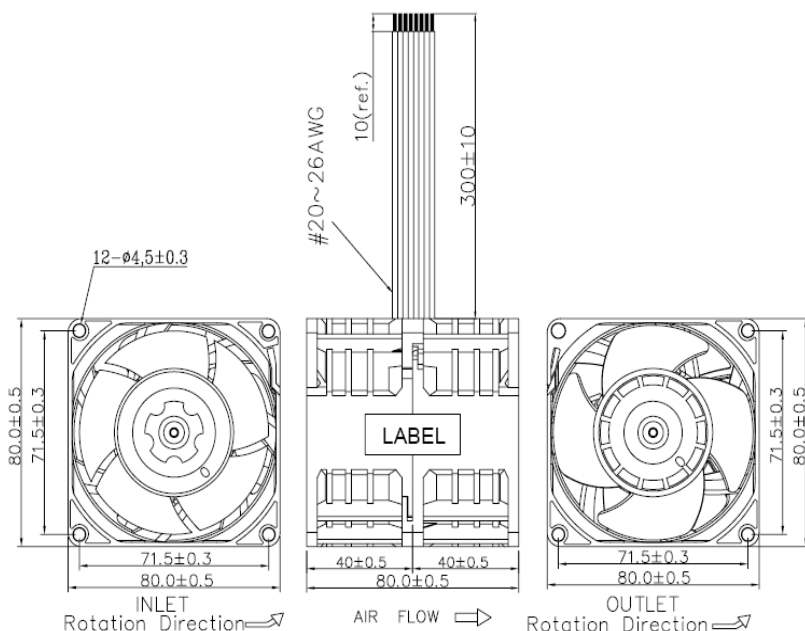
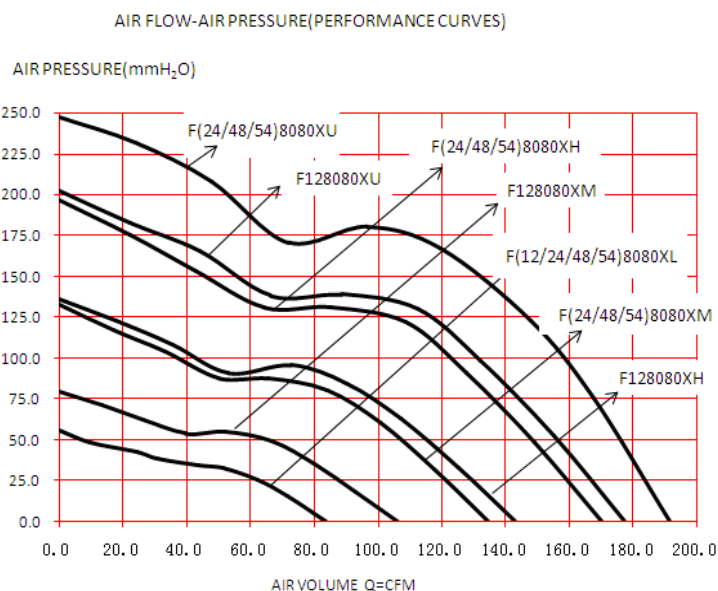
Operating Temp : 10~70°C

Protection : Auto-Restart

 Material : Housing Plastic (UL : 94V-0)  
 Impeller Plastic (UL : 94V-0)

Weight : 450g

Safety Approval



Series	Bearing (*)	Rated Voltage (V)	Rated Current (Amp)	Input Power (W)	Rated Speed (rpm)	Air Flow		Static Pressure (mmH2O)	Noise dB(A)
						(CFM)	m3/min		
F128080XL	●	12	1.5	18.0	8000 (IN) 6000 (OUT)	83.39	2.36	55.95	63
F128080XM	●	12	2.7	32.4	10000 (IN) 8000 (OUT)	106.47	3.02	80.02	70
F128080XH	●	12	6.3	75.6	13000 (IN) 11000 (OUT)	142.90	4.05	135.87	75
F128080XU	●	12	11.0	132.0	15500 (IN) 14000 (OUT)	177.14	5.02	202.30	81.5
F248080XL	●	24	1.0	24	8000 (IN) 6000 (OUT)	83.39	2.36	55.95	63
F248080XM	●	24	2.7	64.8	12000 (IN) 10000 (OUT)	134.31	3.80	132.81	74
F248080XH	●	24	5.5	132.0	15000 (IN) 13000 (OUT)	170.52	4.83	196.90	81
F248080XU	●	24	7.5	180.0	17000 (IN) 15000 (OUT)	191.60	5.43	247.42	85

\*Bearing Type : ○ Sleeve ▲ EBR ● 2 Ball

\*Noise measured at the distance of one meter from the axis of intake.

\*The latest version would be as per the standard issued by REGO only.

Series	Bearing (*)	Rated Voltage (V)	Rated Current (Amp)	Input Power (W)	Rated Speed (rpm)	Air Flow		Static Pressure (mmH <sub>2</sub> O)	Noise dB(A)
						(CFM)	m <sup>3</sup> /min		
<b>F488080XL</b>	●	48	0.5	24.0	8000 (IN) 6000 (OUT)	83.39	2.36	55.95	63
<b>F488080XM</b>	●	48	1.5	72.0	12000 (IN) 10000 (OUT)	134.31	3.80	132.81	74
<b>F488080XH</b>	●	48	2.4	115.2	15000 (IN) 13000 (OUT)	170.52	4.83	196.90	81
<b>F488080XU</b>	●	48	3.5	168.0	17000 (IN) 15000 (OUT)	191.60	5.43	247.42	85
<b>F548080XL</b>	●	54	0.5	27.0	8000 (IN) 6000 (OUT)	83.39	2.36	55.95	63
<b>F548080XM</b>	●	54	1.2	64.8	12000 (IN) 10000 (OUT)	134.31	3.80	132.81	74
<b>F548080XH</b>	●	54	2.1	113.4	15000 (IN) 13000 (OUT)	170.52	4.83	196.90	81
<b>F548080XU</b>	●	54	3.16	170.64	17000 (IN) 15000 (OUT)	191.60	5.43	247.42	85

\*Bearing Type : ○ Sleeve ▲ EBR ● 2 Ball

\*Noise measured at the distance of one meter from the axis of intake.

\*The latest version would be as per the standard issued by REGO only.