

Rated Voltage : 12V/ 24V

Operating Temp : 10~70°C

Protection : Auto-Restart/ Impedance

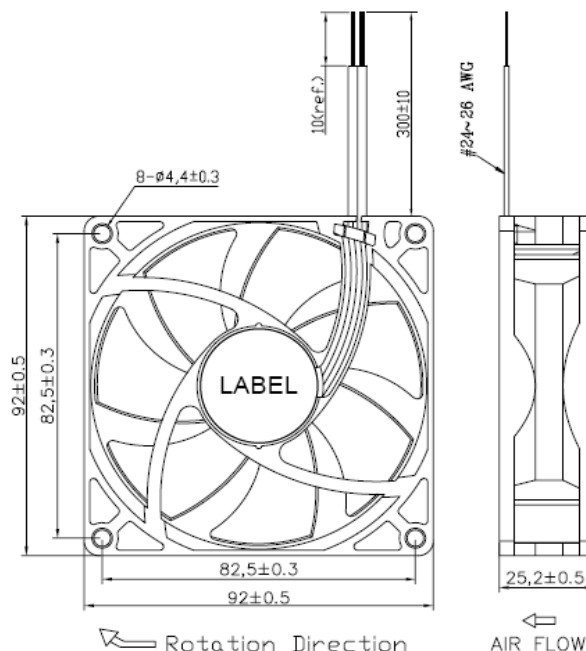
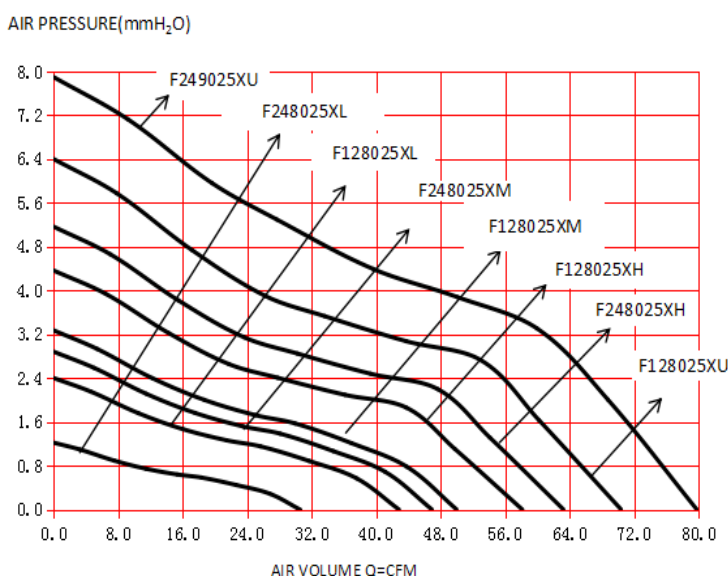
Material : Housing Plastic (UL : 94V-0)
Impeller Plastic (UL : 94V-0)

Weight : 89g

Safety Approval



AIR FLOW-AIR PRESSURE(PERFORMANCE CURVES)



Series	Bearing (*)	Rated Voltage (V)	Rated Current (Amp)	Input Power (W)	Rated Speed (rpm)	Air Flow		Static Pressure (mmH ₂ O)	Noise dB(A)
						(CFM)	m ³ /min		
F129025XL	▲●	12	0.13	1.56	2100	42.81	1.21	2.41	33.2
F129025XM	▲●	12	0.18	2.16	2450	49.94	1.41	3.28	36.6
F129025XH	▲●	12	0.24	2.88	2850	58.10	1.65	4.37	38.4
F129025XU	▲●	12	0.38	4.56	3450	70.34	1.99	6.40	42.5
F249025XL	▲●	24	0.03	0.72	1500	30.58	0.87	1.23	22.1
F249025XM	▲●	24	0.07	1.68	2300	46.89	1.33	2.89	35.2
F249025XH	▲●	24	0.16	3.84	3100	63.20	1.79	5.17	40.2
F249025XU	▲●	24	0.29	6.96	3900	79.74	2.26	7.90	46.1

*Bearing Type : ○ Sleeve ▲ EBR ● 2 Ball

*Noise measured at the distance of one meter from the axis of intake.

*The latest version would be as per the standard issued by REGO only.