

Rated Voltage : 12V

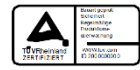
Operating Temp : 10~70°C

Protection : Auto-Restart/ Impedance

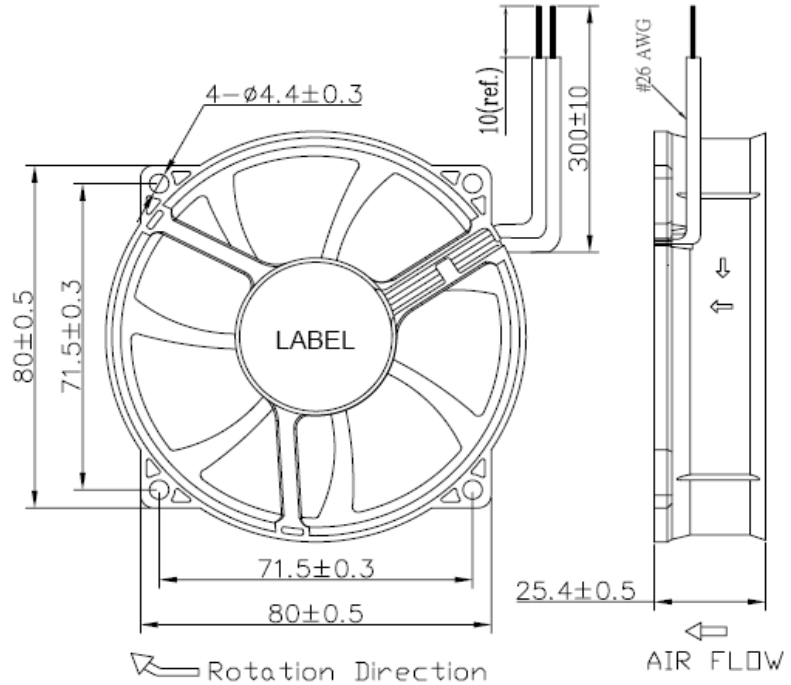
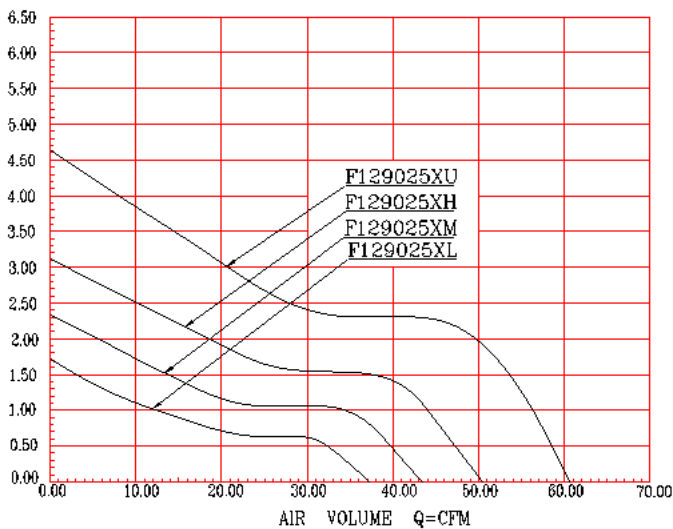
Material : Housing Plastic (UL : 94V-0)
Impeller Plastic (UL : 94V-0)

Weight : 103g

Safety Approval



AIR FLOW-AIR PRESSURE(PERFORMANCE CURVES)
AIR PRESSURE(mmH₂O)



Series	Bearing (*)	Rated Voltage (V)	Rated Current (Amp)	Input Power (W)	Rated Speed (rpm)	Air Flow		Static Pressure (mmH ₂ O)	Noise dB(A)
						(CFM)	m ³ /min		
F129025XL	▲●	12	0.13	1.56	2100	37.36	1.06	1.72	26
F129025XM	▲●	12	0.18	2.16	2450	43.59	1.23	2.34	30.5
F129025XH	▲●	12	0.24	2.88	2850	50.71	1.44	3.17	34.5
F129025XU	▲●	12	0.38	4.56	3450	61.38	1.74	4.64	39.9

*Bearing Type : ○ Sleeve ▲EBR ●2 Ball

*Noise measured at the distance of one meter from the axis of intake.

*The latest version would be as per the standard issued by REGO only.