

Rated Voltage : 12V

Operating Temp : 10~70°C

Protection : Auto-Restart/ Impedance

Material : Housing Plastic (UL : 94V-0)
 Impeller Plastic (UL : 94V-0)

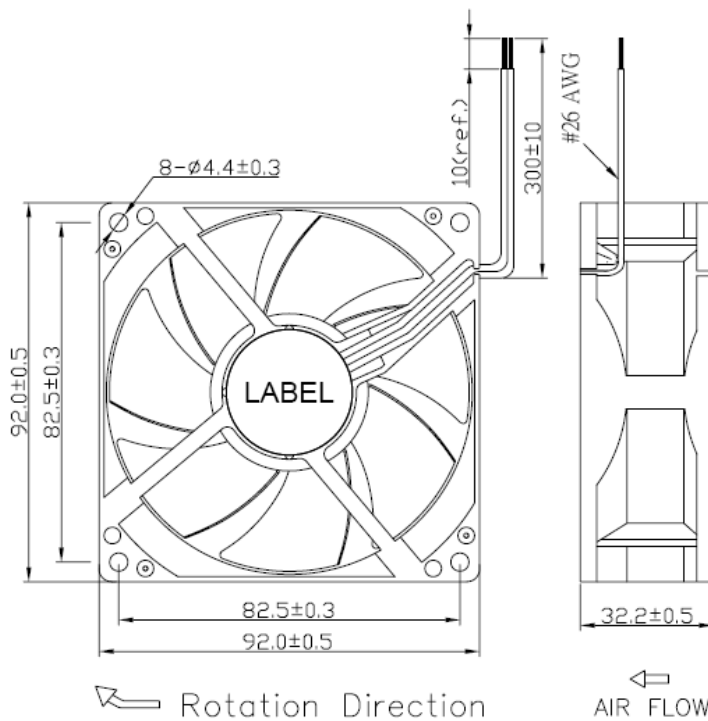
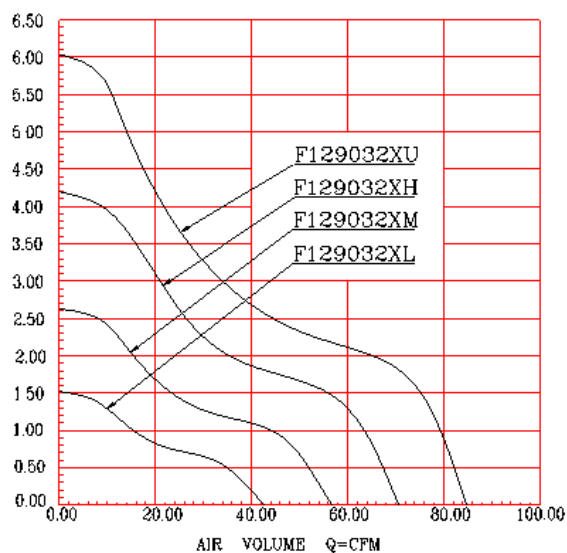
Weight : 115g

Safety Approval



AIR FLOW-AIR PRESSURE(PERFORMANCE CURVES)

AIR PRESSURE(mmH₂O)



Series	Bearing (*)	Rated Voltage (V)	Rated Current (Amp)	Input Power (W)	Rated Speed (rpm)	Air Flow		Static Pressure (mmH ₂ O)	Noise dB(A)
						(CFM)	m ³ /min		
F129032XL	●	12	0.14	1.68	1800	42.22	1.20	1.51	26.6
F129032XM	●	12	0.20	2.40	2400	56.29	1.59	2.69	31.2
F129032XH	●	12	0.48	5.76	3000	70.36	1.99	4.20	37
F129032XU	●	12	1.00	12.00	3600	84.43	2.39	6.05	41.5

*Bearing Type : ○ Sleeve ▲ EBR ● 2 Ball

*Noise measured at the distance of one meter from the axis of intake.

*The latest version would be as per the standard issued by REGO only.