

Rated Voltage : 12V

Operating Temp : 10~70°C

Protection : Auto-Restart/ Impedance

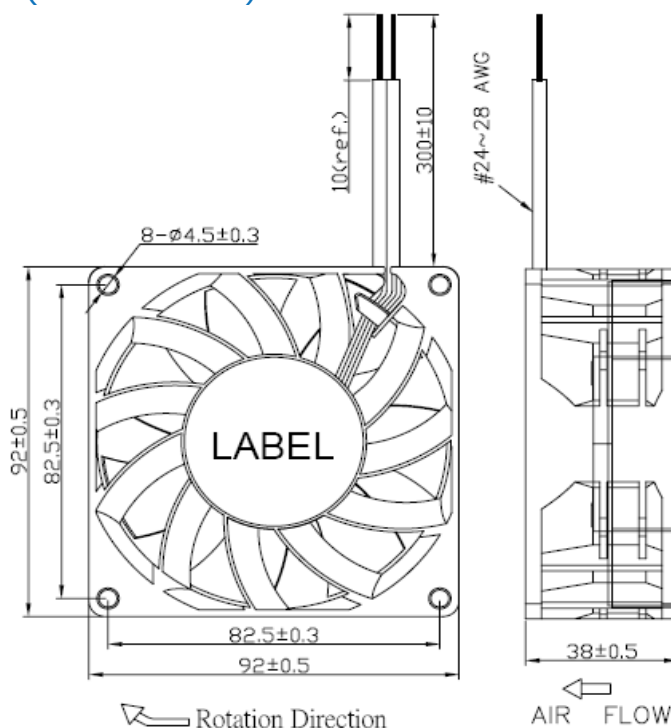
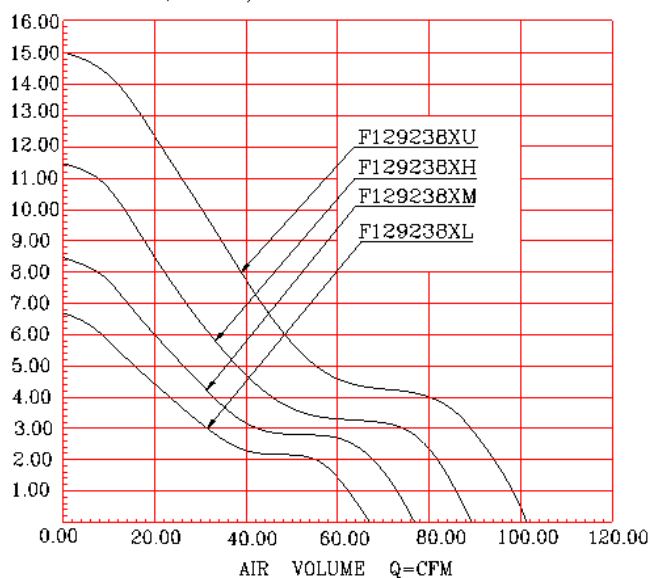
 Material : Housing Plastic (UL : 94V-0)
 Impeller Plastic (UL : 94V-0)

Weight : 115g

Safety Approval



AIR FLOW-AIR PRESSURE(PERFORMANCE CURVES)

 AIR PRESSURE(mmH₂O)


Series	Bearing (*)	Rated Voltage (V)	Rated Current (Amp)	Input Power (W)	Rated Speed (rpm)	Air Flow (CFM)	m ³ /min	Static Pressure (mmH ₂ O)	Noise dB(A)
F129238XL	●	12	0.50	6.00	3200	67.89	1.92	6.67	42.5
F129238XM	●	12	0.70	8.40	3600	76.37	2.16	8.44	45.5
F129238XH	●	12	0.80	9.60	4200	89.10	2.52	11.48	50.5
F129238XU	●	12	1.20	14.40	4800	101.83	2.88	15.00	53.8

*Bearing Type : ○ Sleeve ▲EBR ●2 Ball

*Noise measured at the distance of one meter from the axis of intake.

*The latest version would be as per the standard issued by REGO only.