

Rated Voltage : 12V

Operating Temp : 10~70°C

Protection : Auto-Restart /Impedance

Material : Housing Plastic (UL : 94V-0)  
 Impeller Plastic (UL : 94V-0)

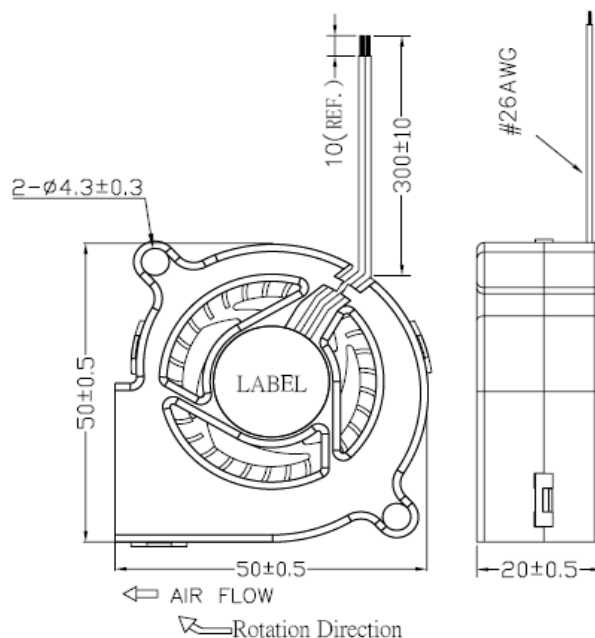
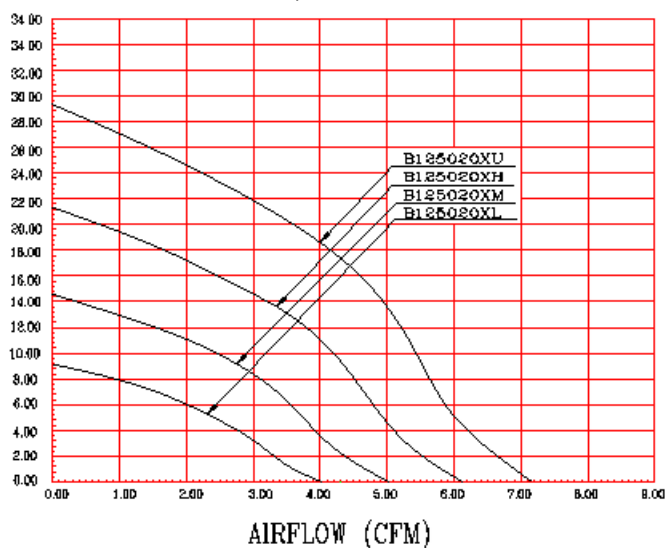
Weight : 28g

Safety Approval



### AIR FLOW-AIR PRESSURE (PERFORMANCE CURVES)

STATIC PRESSURE (mmH ± 0)



Series	Bearing (*)	Rated Voltage (V)	Rated Current (Amp)	Input Power (W)	Rated Speed (rpm)	Air Flow		Static Pressure (mmH <sub>2</sub> O)	Noise dB(A)
						(CFM)	m <sup>3</sup> /min		
B125020XL	▲●	12	0.12	1.44	3800	4.01	0.11	9.17	28
B125020XM	▲●	12	0.20	2.40	4800	5.07	0.14	14.62	32
B125020XH	▲●	12	0.30	3.60	5800	6.12	0.17	21.35	37
B125020XU	▲●	12	0.40	4.80	6800	7.18	0.20	29.35	40

\*Bearing Type : ○ Sleeve ▲EBR ●2 Ball

\*Noise measured at the distance of one meter from the axis of intake.

\*The latest version would be as per the standard issued by REGO only.