

Rated Voltage : 12V

Operating Temp : 10~70°C

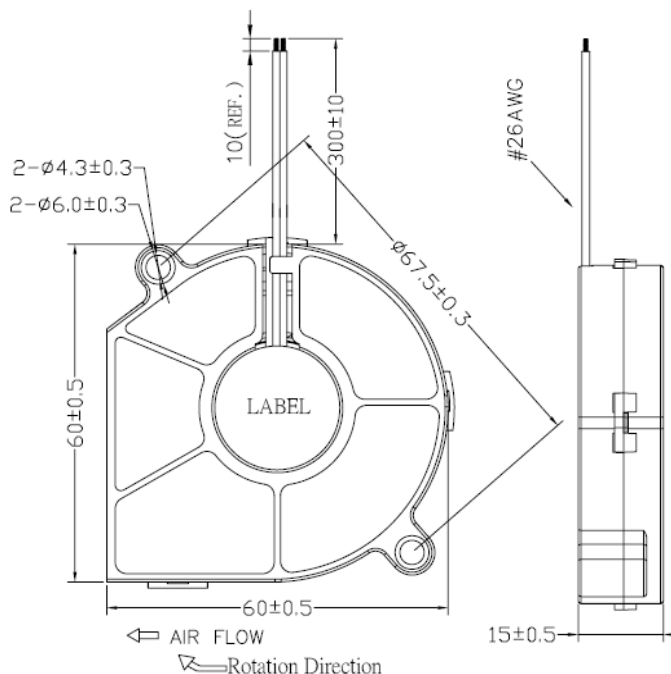
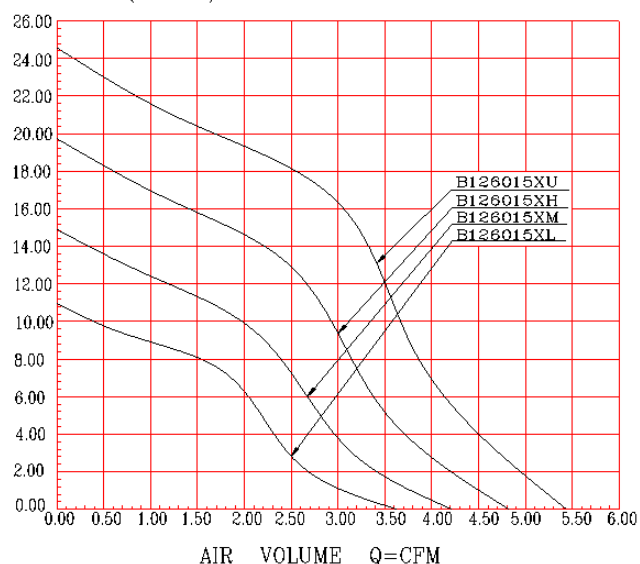
Protection : Auto-Restart /Impedance

 Material : Housing Plastic (UL : 94V-0)
 Impeller Plastic (UL : 94V-0)

Weight : 40g

Safety Approval


AIR FLOW-AIR PRESSURE (PERFORMANCE CURVES)

 AIR PRESSURE(mmH₂O)


Series	Bearing (*)	Rated Voltage (V)	Rated Current (Amp)	Input Power (W)	Rated Speed (rpm)	Air Flow		Static Pressure (mmH ₂ O)	Noise dB(A)
						(CFM)	m ³ /min		
B126015XL	●	12	0.14	1.68	3600	3.65	0.10	10.93	33.4
B126015XM	●	12	0.20	2.40	4200	4.26	0.12	14.88	38
B126015XH	●	12	0.30	3.60	4800	4.87	0.14	19.44	42.1
B126015XU	●	12	0.40	4.80	5400	5.48	0.16	24.60	45.8

*Bearing Type : ○ Sleeve ▲ EBR ● 2 Ball

*Noise measured at the distance of one meter from the axis of intake.

*The latest version would be as per the standard issued by REGO only.