

Rated Voltage : 12V

Operating Temp : 10~70°C

Protection : Auto-Restart /Impedance

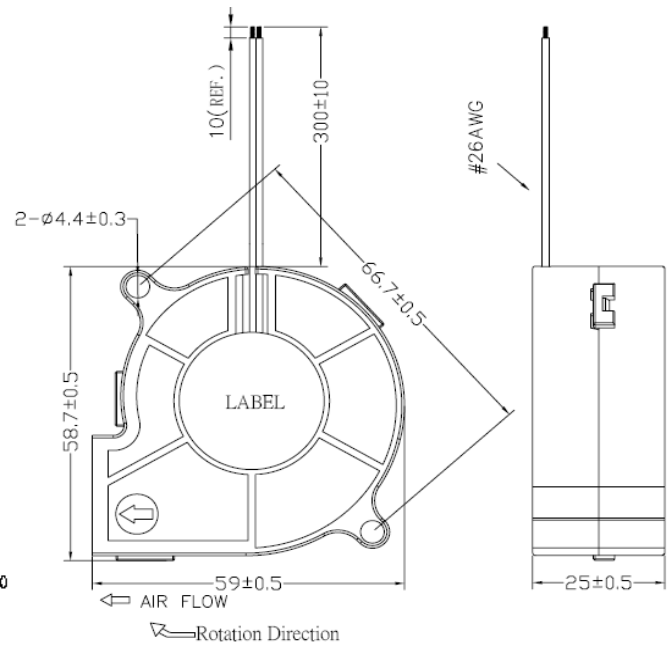
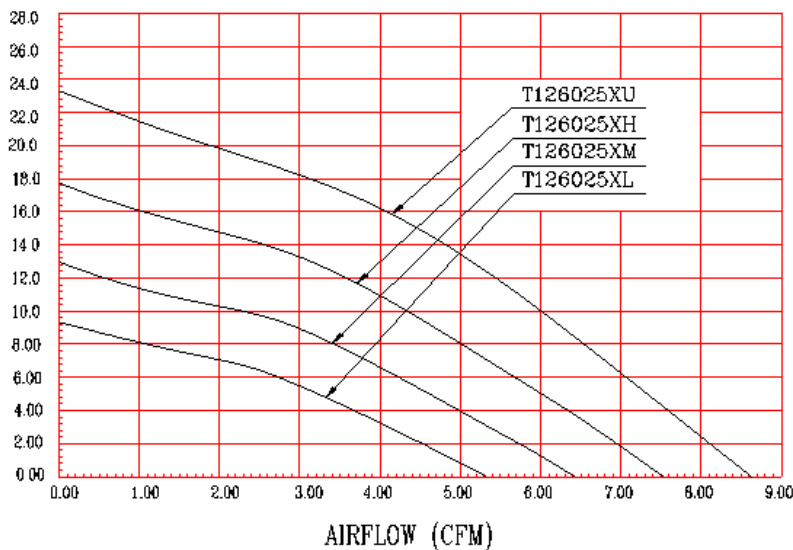
Material : Housing Plastic (UL : 94V-0)  
 Impeller Plastic (UL : 94V-0)

Weight : 50g

Safety Approval



**AIR FLOW-AIR PRESSURE (PERFORMANCE CURVES)**  
 STATIC PRESSURE (mmH<sub>2</sub>O)



Series	Bearing (*)	Rated Voltage (V)	Rated Current (Amp)	Input Power (W)	Rated Speed (rpm)	Air Flow		Static Pressure (mmH <sub>2</sub> O)	Noise dB(A)
						(CFM)	m <sup>3</sup> /min		
B126025XL	●	12	0.12	1.44	3000	5.40	0.15	9.10	28.7
B126025XM	●	12	0.16	1.92	3600	6.48	0.18	13.11	33.7
B126025XH	●	12	0.22	2.64	4200	7.56	0.21	17.84	36.6
B126025XU	●	12	0.26	3.12	4800	8.64	0.24	23.30	38.5

\*Bearing Type : ○ Sleeve ▲ EBR ● 2 Ball

\*Noise measured at the distance of one meter from the axis of intake.

\*The latest version would be as per the standard issued by REGO only.