

Rated Voltage : 12V

Operating Temp : 10~70°C

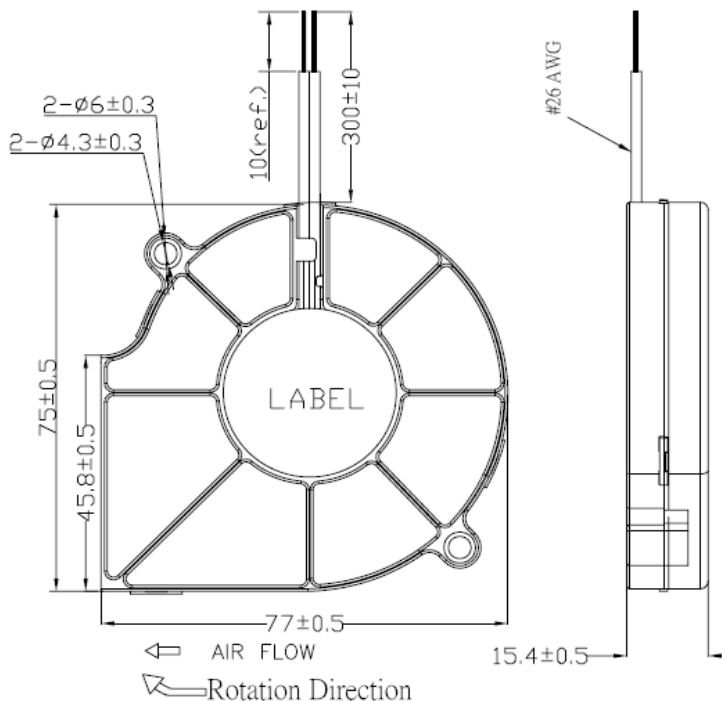
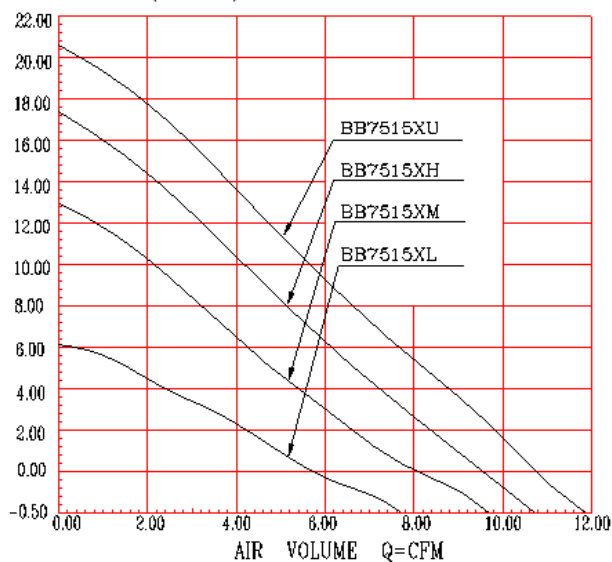
Protection : Auto-Restart /Impedance

 Material : Housing Plastic (UL : 94V-0)
 Impeller Plastic (UL : 94V-0)

Weight : 85g

Safety Approval


AIR FLOW-AIR PRESSURE (PERFORMANCE CURVES)

 AIR PRESSURE(mmH₂O)


Series	Bearing (*)	Rated Voltage (V)	Rated Current (Amp)	Input Power (W)	Rated Speed (rpm)	Air Flow		Static Pressure (mmH ₂ O)	Noise dB(A)
						(CFM)	m ³ /min		
B127515XL	●	12	0.40	4.80	4000	7.55	0.21	17.61	45
B127515XM	●	12	0.50	6.00	4500	8.49	0.24	22.29	48
B127515XH	●	12	0.60	7.20	5000	9.44	0.27	27.52	52
B127515XU	●	12	0.80	9.60	5500	10.38	0.29	33.30	55

*Bearing Type : ○ Sleeve ▲EBR ●2 Ball

*Noise measured at the distance of one meter from the axis of intake.

*The latest version would be as per the standard issued by REGO only.