

Rated Voltage : 12V

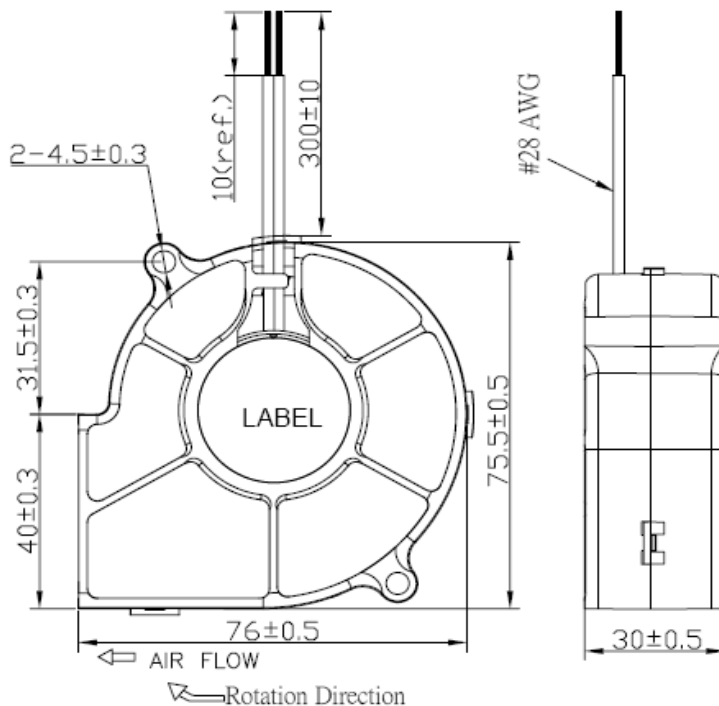
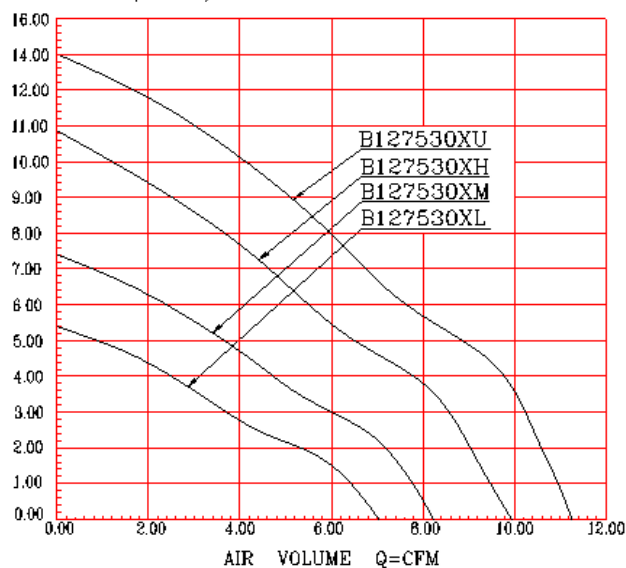
Operating Temp : 10~70°C

Protection : Auto-Restart /Impedance

 Material : Housing Plastic (UL : 94V-0)
 Impeller Plastic (UL : 94V-0)

Weight : 85g

Safety Approval


 AIR FLOW-AIR PRESSURE (PERFORMANCE CURVES)
 AIR PRESSURE(mmH₂O)


Series	Bearing (*)	Rated Voltage (V)	Rated Current (Amp)	Input Power (W)	Rated Speed (rpm)	Air Flow		Static Pressure (mmH ₂ O)	Noise dB(A)
						(CFM)	m ³ /min		
B127530XL	●	12	0.18	2.16	2050	7.01	0.20	5.40	26.7
B127530XM	●	12	0.20	2.40	2400	8.21	0.23	7.40	31.5
B127530XH	●	12	0.30	3.60	2900	9.92	0.28	10.81	35.6
B127530XU	●	12	0.42	5.04	3300	11.29	0.32	14.00	38.7

*Bearing Type : ○ Sleeve ▲EBR ●2 Ball

*Noise measured at the distance of one meter from the axis of intake.

*The latest version would be as per the standard issued by REGO only.