

Rated Voltage : 12V

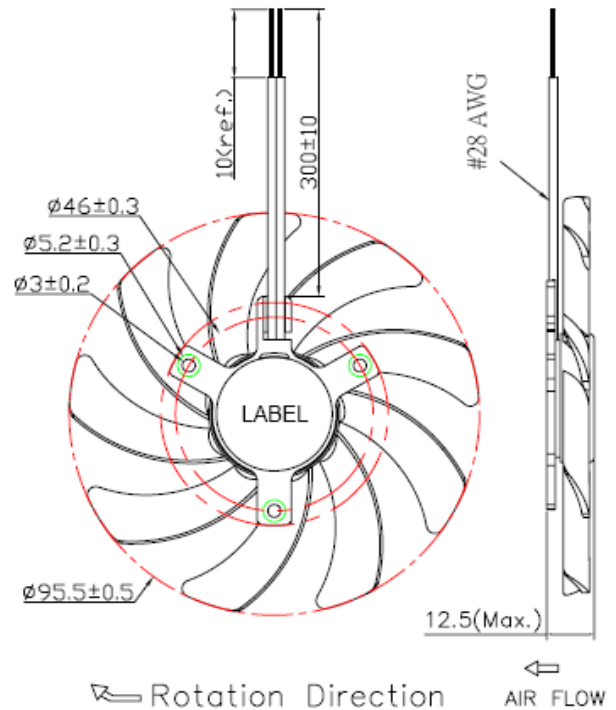
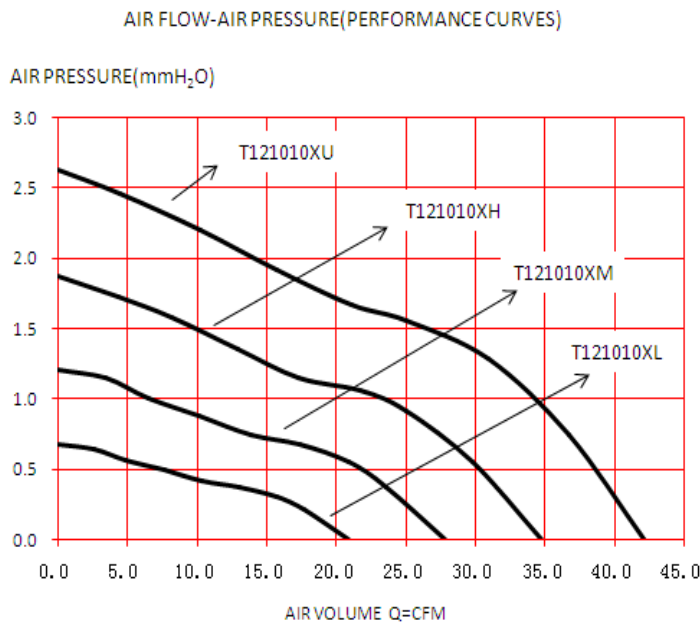
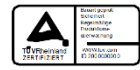
Operating Temp : 10~70°C

Protection : Auto-Restart/ Impedance

Material : Housing Plastic (UL : 94V-0)
Impeller Plastic (UL : 94V-0)

Weight : 24g

Safety Approval



Series	Bearing (*)	Rated Voltage (V)	Rated Current (Amp)	Input Power (W)	Rated Speed (rpm)	Air Flow (CFM)	m3/min	Static Pressure (mmH2O)	Noise dB(A)
T121010XL	●	12	0.13	1.56	1500	20.83	0.59	0.68	20.00
T121010XM	●	12	0.23	2.76	2000	27.78	0.79	1.21	24.20
T121010XH	●	12	0.33	3.96	2500	34.70	0.98	1.88	30.00
T121010XU	●	12	0.43	5.16	3000	42.17	1.19	2.63	38.30

*Bearing Type : ○ Sleeve ▲ EBR ● 2 Ball

*Noise measured at the distance of one meter from the axis of intake.

*The latest version would be as per the standard issued by REGO only.