

Rated Voltage : 5V /12V

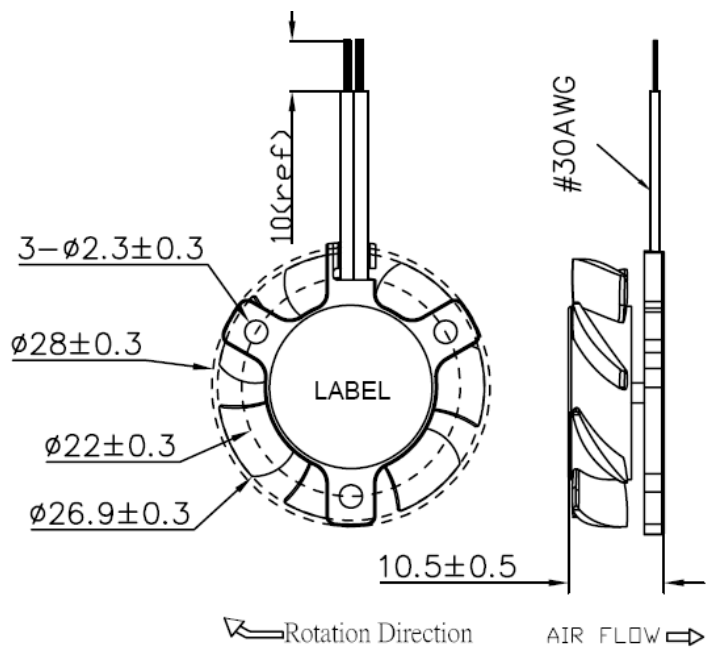
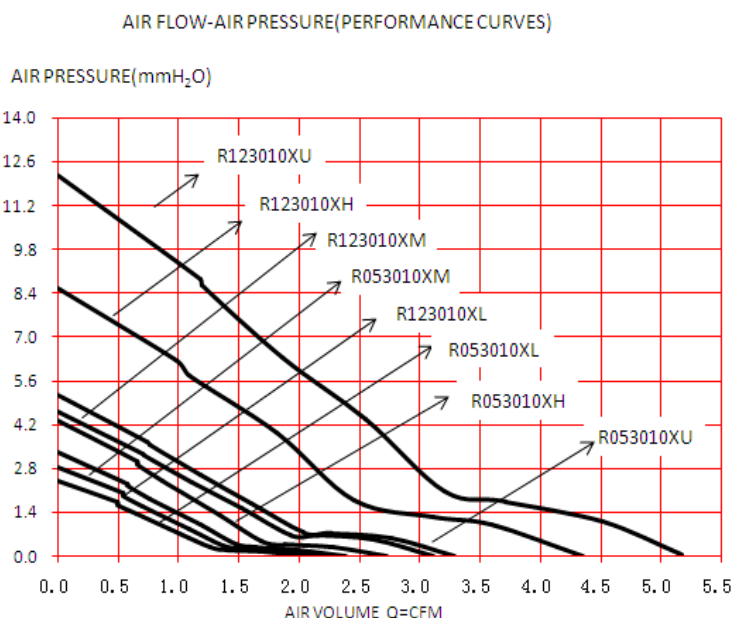
Operating Temp : 10~70°C

Protection : Auto-Restart /Impedance

Material : Housing Plastic (UL : 94V-0)
 Impeller Plastic (UL : 94V-0)

Weight : 7g

Safety Approval



Series	Bearing (*)	Rated Voltage (V)	Rated Current (Amp)	Input Power (W)	Rated Speed (rpm)	Air Flow		Static Pressure (mmH2O)	Noise dB(A)
						(CFM)	m3/min		
T123010XL	▲●	12	0.08	0.96	6500	2.22	0.06	2.84	18.8
T123010XM	▲●	12	0.12	1.44	9000	3.12	0.09	4.60	27.5
T123010XH	▲●	12	0.15	1.8	12000	4.36	0.12	8.57	33.1
T123010XU	▲●	12	0.18	2.16	14500	5.18	0.15	12.13	40.1
T053010XL	▲●	5	0.06	0.3	6000	2.05	0.06	2.42	17.7
T053010XM	▲●	5	0.08	0.4	7000	2.39	0.07	3.30	19.2
T053010XH	▲●	5	0.12	0.6	8000	2.73	0.08	4.30	22.6
T053010XU	▲●	5	0.15	0.75	9500	3.29	0.09	5.12	28.8

*Bearing Type : ○ Sleeve ▲EBR ●2 Ball

*Noise measured at the distance of one meter from the axis of intake.

*The latest version would be as per the standard issued by REGO only.