

Rated Voltage : 5V /12V

Operating Temp : 10~70°C

Protection : Auto-Restart /Impedance

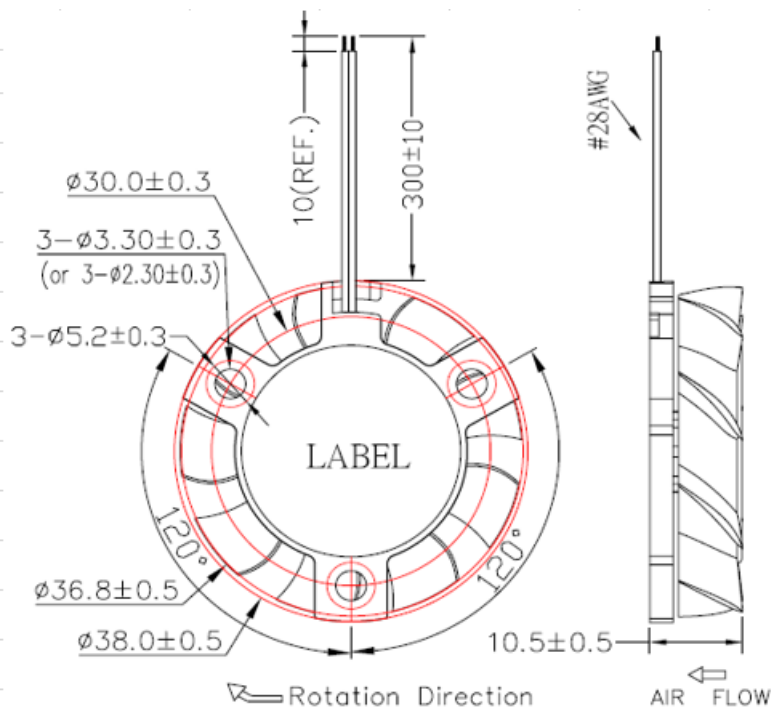
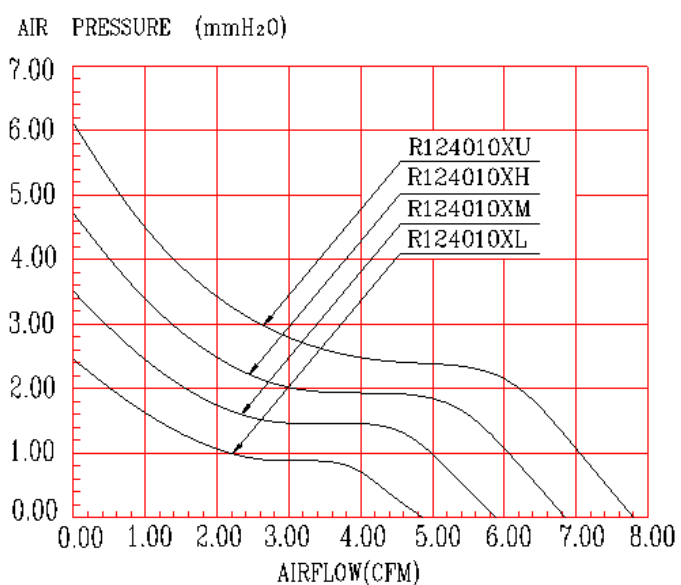
 Material : Housing Plastic (UL : 94V-0)
 Impeller Plastic (UL : 94V-0)

Weight : 12g

Safety Approval



AIR PRESURE-AIR FLOW (PERFORMANCE CURVES)



Series	Bearing (*)	Rated Voltage (V)	Rated Current (Amp)	Input Power (W)	Rated Speed (rpm)	Air Flow		Static Pressure (mmH ₂ O)	Noise dB(A)
						(CFM)	m ³ /min		
T124010XL	▲●	12	0.10	1.20	5000	4.87	0.14	2.41	23.2
T124010XM	▲●	12	0.12	1.44	6000	5.85	0.17	3.46	26.9
T124010XH	▲●	12	0.14	1.68	7000	6.82	0.19	4.72	30.4
T124010XU	▲●	12	0.18	2.16	8000	7.80	0.22	6.16	34.7

*Bearing Type : ○ Sleeve ▲EBR ●2 Ball

*Noise measured at the distance of one meter from the axis of intake.

*The latest version would be as per the standard issued by REGO only.