

Rated Voltage : 12V

Operating Temp : 10~70°C

Protection : Auto-Restart /Impedance

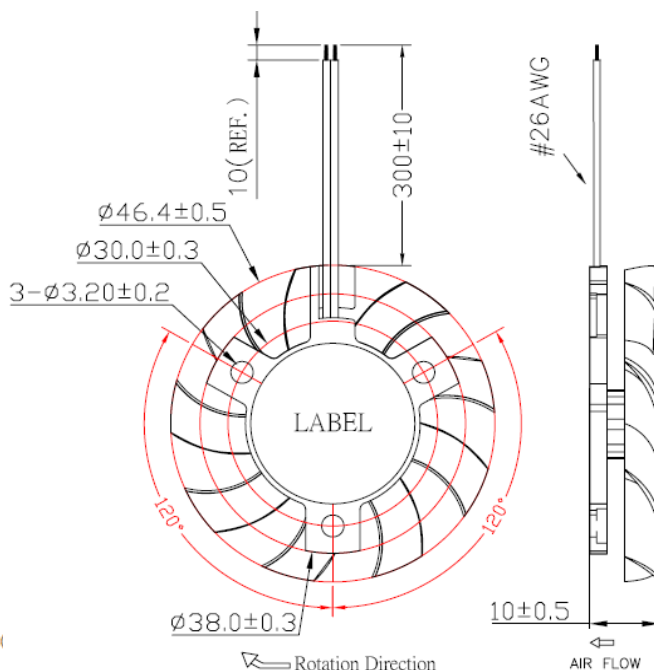
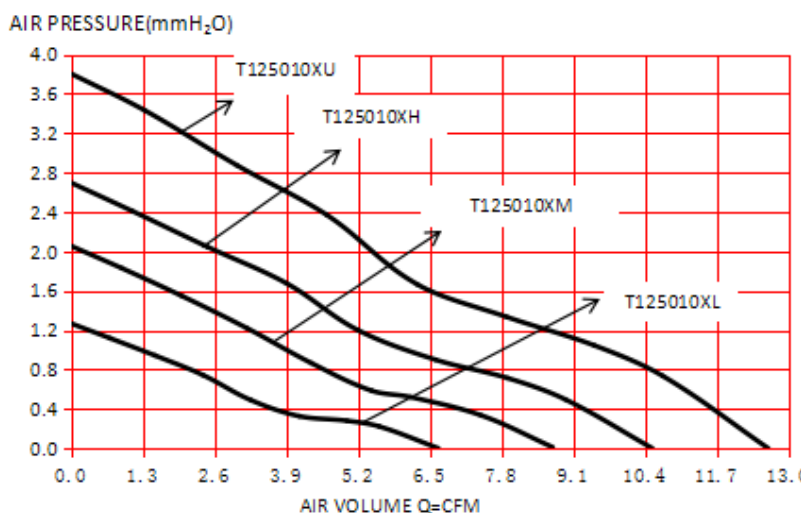
Material : Housing Plastic (UL : 94V-0)  
Impeller Plastic (UL : 94V-0)

Weight : 20g

Safety Approval



AIR FLOW-AIR PRESSURE(PERFORMANCE CURVES)



Series	Bearing (*)	Rated Voltage (V)	Rated Current (Amp)	Input Power (W)	Rated Speed (rpm)	Air Flow		Static Pressure (mmH <sub>2</sub> O)	Noise dB(A)
						(CFM)	m <sup>3</sup> /min		
T125010XL	▲●	12	0.13	1.56	3500	6.66	0.19	1.27	21.1
T125010XM	▲●	12	0.15	1.80	4500	8.73	0.25	2.06	25.7
T125010XH	▲●	12	0.25	3.00	5500	10.54	0.30	2.70	30.1
T125010XU	▲●	12	0.32	3.84	6500	12.64	0.36	3.81	34.7

\*Bearing Type : ○ Sleeve ▲EBR ●2 Ball

\*Noise measured at the distance of one meter from the axis of intake.

\*The latest version would be as per the standard issued by REGO only.