

Rated Voltage : 12V/ 24V

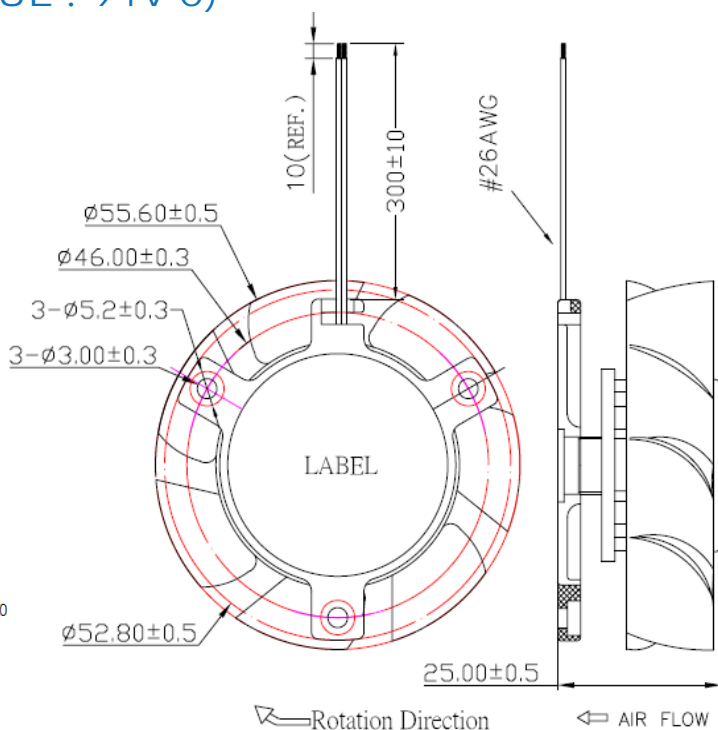
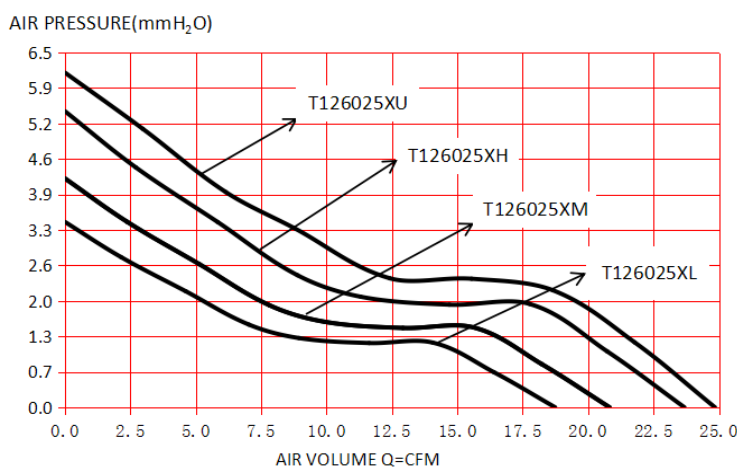
Operating Temp : 10~70°C

Protection : Auto-Restart /Impedance

Material : Housing Plastic (UL : 94V-0)  
 Impeller Plastic (UL : 94V-0)

Weight : 50g

Safety Approval



Series	Bearing (*)	Rated Voltage (V)	Rated Current (Amp)	Input Power (W)	Rated Speed (rpm)	Air Flow		Static Pressure (mmH <sub>2</sub> O)	Noise dB(A)
						(CFM)	m <sup>3</sup> /min		
T126025XL	▲●	12	0.12	1.44	3600	18.73	0.53	3.39	23.4
T126025XM	▲●	12	0.16	1.92	4000	20.82	0.59	4.19	26.9
T126025XH	▲●	12	0.22	2.64	4550	23.68	0.67	5.42	30.5
T126025XU	▲●	12	0.26	3.12	4900	24.85	0.70	6.13	33.5

\*Bearing Type : ○ Sleeve ▲EBR ●2 Ball

\*Noise measured at the distance of one meter from the axis of intake.

\*The latest version would be as per the standard issued by REGO only.