

Rated Voltage : 12V

Operating Temp : 10~70°C

Protection : Auto-Restart /Impedance

Material : Housing Plastic (UL : 94V-0)
Impeller Plastic (UL : 94V-0)

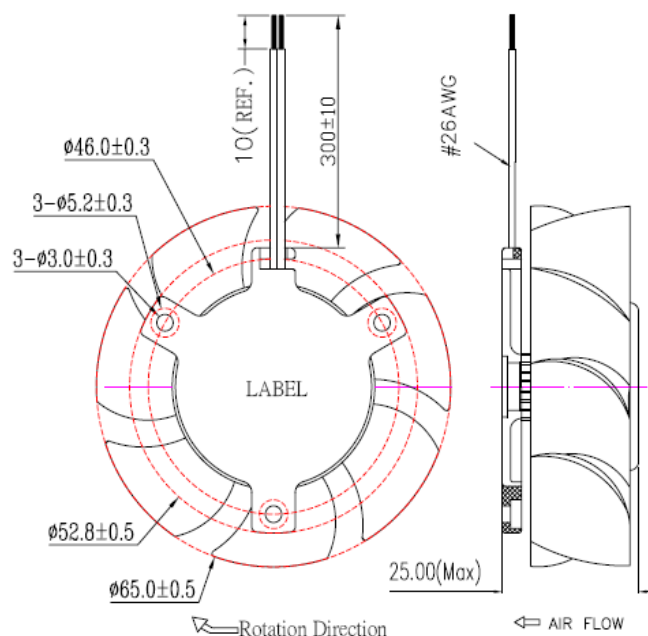
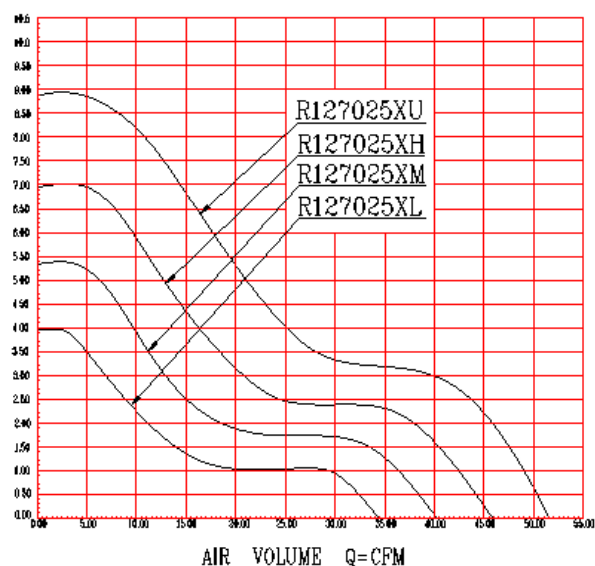
Weight : 53g

Safety Approval



AIR FLOW-AIR PRESSURE (PERFORMANCE CURVES)

AIR PRESSURE(mmH₂O)



Series	Bearing (*)	Rated Voltage (V)	Rated Current (Amp)	Input Power (W)	Rated Speed (rpm)	Air Flow		Static Pressure (mmH ₂ O)	Noise dB(A)
						(CFM)	m ³ /min		
T127025XL	▲●	12	0.15	1.80	3600	34.39	0.97	3.91	33.5
T127025XM	▲●	12	0.25	3.00	4200	40.13	1.14	5.32	35.3
T127025XH	▲●	12	0.30	3.60	4800	45.86	1.30	6.95	40
T127025XU	▲●	12	0.40	4.80	5400	51.59	1.46	8.80	43.8

*Bearing Type : ○ Sleeve ▲EBR ●2 Ball

*Noise measured at the distance of one meter from the axis of intake.

*The latest version would be as per the standard issued by REGO only.